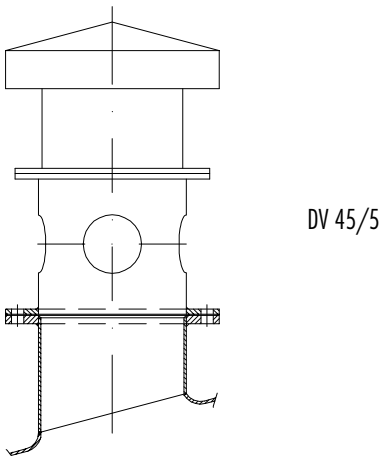
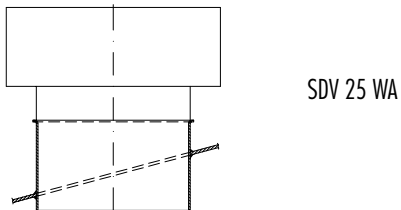
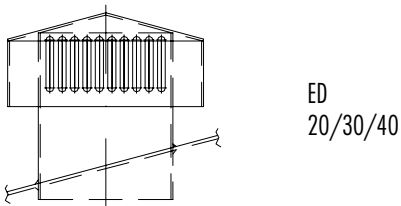
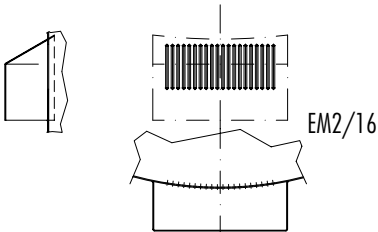
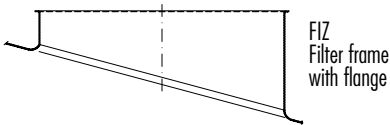
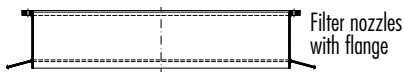


SILO ACCESSORIES

FUNCTION NOZZLES

Material:	For items without material data, all parts are made of AlMg3, AlMgSi or Stainless Steel.
Standard accessories:	Accessories always include installation.

Design example



Description		Article no.	
Filter nozzles			
FID	Filter nozzle with flange, without seals and screws, arranged in the middle of the silo roof		
FID 8	Filter nozzle inside diameter	500-849	FID 8
FID 12	Filter nozzle inside diameter	850-1200	FID 12
FID 8R	Filter nozzle inner width	500-849	FID 8R
FID 12R	Filter nozzle inner width	850-1200	FID 12R
FIM	Filter nozzle with flange, without seals, shell and screws, for filter attachment to silo mantle, with product deflector plate		
FIM 8R	Filter nozzle inner width	500-849	FIM 8R
FIM 12R	Filter nozzle inner width	850-1200	FIM 12R
Silo roof and all filter nozzles are designed for 400 kg filter weight and wind load for max. 1600 mm filter height.			
Blind flange for filter nozzles			
FB	Blind flange with seal and screws, for filter nozzles FID and FIM		
FB 8	for inside diameter	500-849	FB 8
FB 12	for inside diameter	850-1200	FB 12
FB 8R	for inner width	500-849	FB 8R
FB 12R	for inner width	850-1200	FB 12R
Vent nozzles			
ED 20	vent nozzle in silo roof DN 200 with rain collar		ED 20
ED 30	vent nozzle in silo roof DN 300 with rain collar		ED 30
ED 40	vent nozzle in silo roof DN 400 with rain collar		ED 40
EM 2/16	vent nozzle in mantle 200 x 16 with rain collar (free cross section 0.02 m ²)		EM 2/16
Safety pressure relief valve			
DV 45/5	Pressure relief valve for + 45/- mbar +/- 10% with rain cover and connecting flange, material AlMg3, valve is not gas-tight		DV 45/5
DV 45/5 CR/WA	Material 1.4301, spring-loaded and with connecting flange		DV 45/5 CR/WA/flange
DV 45/5 CR/WA/EX	Material 1.4301, spring-loaded for use in construction Ex-protection		DV 45/5 CR/WA/EX
SDV 25	Flange nozzle DN 250 PN 10 for DV 45/5 ...		SDV 25
All measurements in mm.			